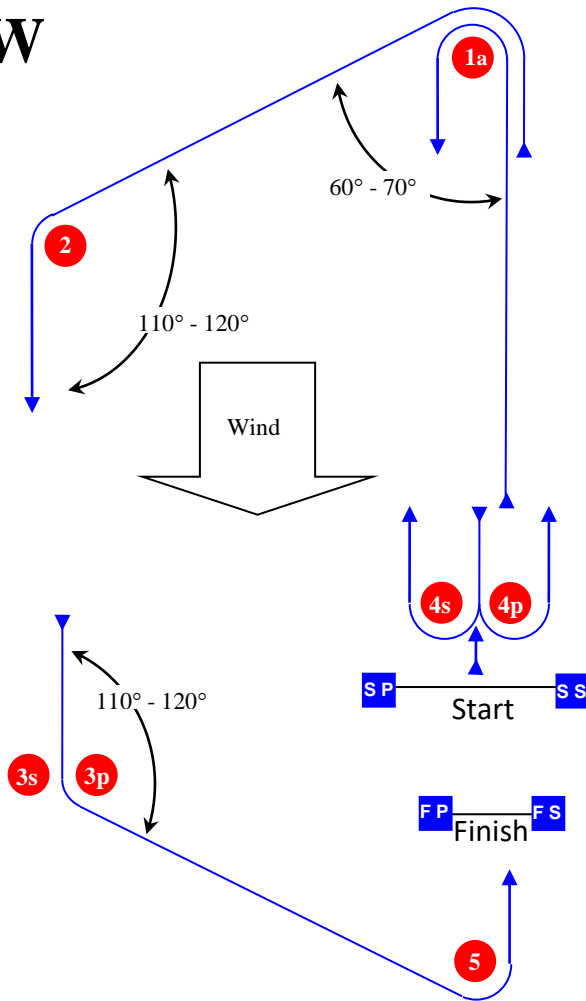


MBSC 2018-2019 PRE-CHRISTMAS POINTS RACING SERIES

APPENDIX A: Course Illustration

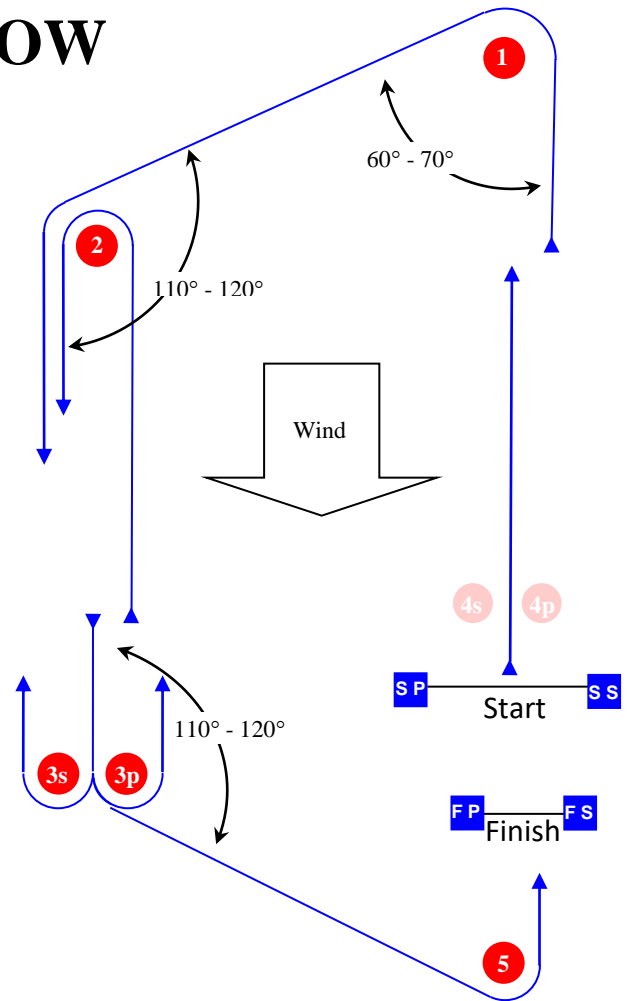
IW



Course: Inner Trapezoid with beat to finish

Signal	Mark Rounding Order
IW2	Start – 1a – 4s/4p – 1a – 2 – 3p – 5 – Finish
IW3	Start – 1a – 4s/4p – 1a – 4s/4p – 1a – 2 – 3p – 5 – Finish

OW



Course: Outer Trapezoid with beat to finish

Signal	Mark Rounding Order
OW1	Start – 1 – 2 – 3p – 5 – Finish
OW2	Start – 1 – 2 – 3s/3p – 2 – 3p – 5 – Finish
OW3	Start – 1 – 2 – 3s/3p – 2 – 3s/3p – 2 – 3p – 5 – Finish

Mark	Description
1 2	Red cylinder
1a	Orange teardrop buoy
3s 3p	Red cylinder
4s 4p	Orange teardrop buoy
5	Red cylinder
SS Starting mark starboard end	Race committee boat
SP Starting mark port end	Orange teardrop buoy
FS Finishing mark starboard end	Race committee boat
FP Finishing mark port end	Orange teardrop buoy